

**USER'S GUIDE**  
**GAS HOSE REEL WINDER**



**YOUR PROTECTION**  
**BY EXCELLENCE**

**REGISTER YOUR PRODUCT**  
**ONLINE WARRANTY CONTRACT**  
[WWW.RIPACK.COM/ EN/REGISTER-A-PRODUCT/](http://WWW.RIPACK.COM/EN/REGISTER-A-PRODUCT/)



# CONTENTS

<b>INSTALLATION.....</b>	<b>3</b>
<b>OPERATION.....</b>	<b>5</b>
<b>MAINTENANCE.....</b>	<b>5</b>
<b>EXPLODED VIEW AND REPLACEMENT PARTS..</b>	<b>8</b>
<b>GUARANTEE.....</b>	<b>10</b>
<b>DECLARATION OF CONFORMITY.....</b>	<b>11</b>

# INSTALLATION

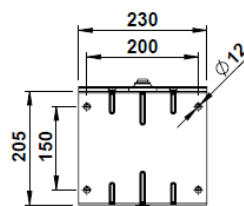
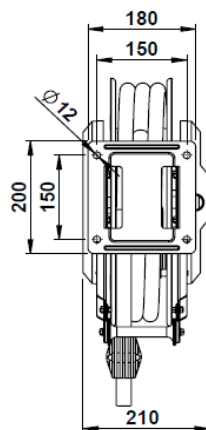
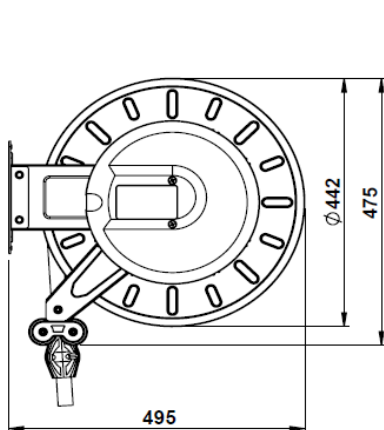
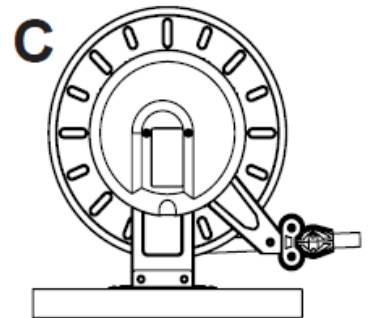
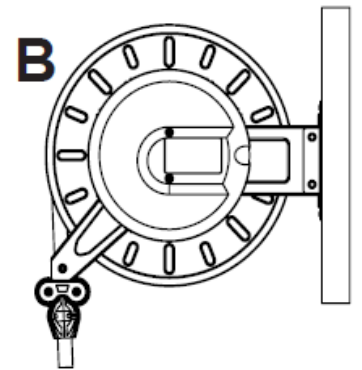
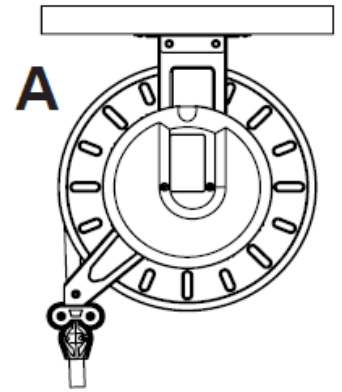
**IMPORTANT!** Any installation operation shall be carried out by a suitably trained staff, following carefully the information given in this manual.

Check the packaging at the reception of the goods and verify that the device has not been damaged during transport or storage operations. Make sure you receive all the components. Ask the manufacturer for any possible missing component.

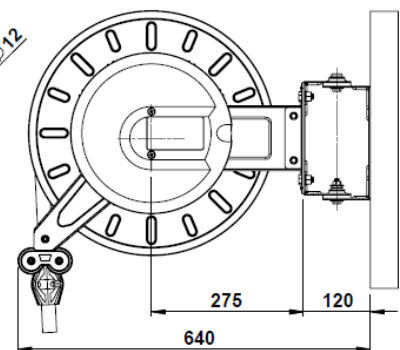
**The hose reel has to be wall mounted at a minimum height of the floor of 2.50 m in order to prevent accidents during work operations.** Considering the hose reel weight and dimensions, its movement requires the use of lifter devices. In particular cases it is possible to mount it on the floor or on other machines as accessory, only if complete with a fixed support. The hose-guide arms can be fixed in three different positions according to the hose reel installation (see pictures A-B-C).

Mount the hose reel in fixed position or with revolving stand on stiff and consistent walls using 4 dowels of 10 mm diameter.

**WARNING!** The manufacturer declines any responsibility for injuries to people or damages to things caused by a wrong assembly of the hose reel.



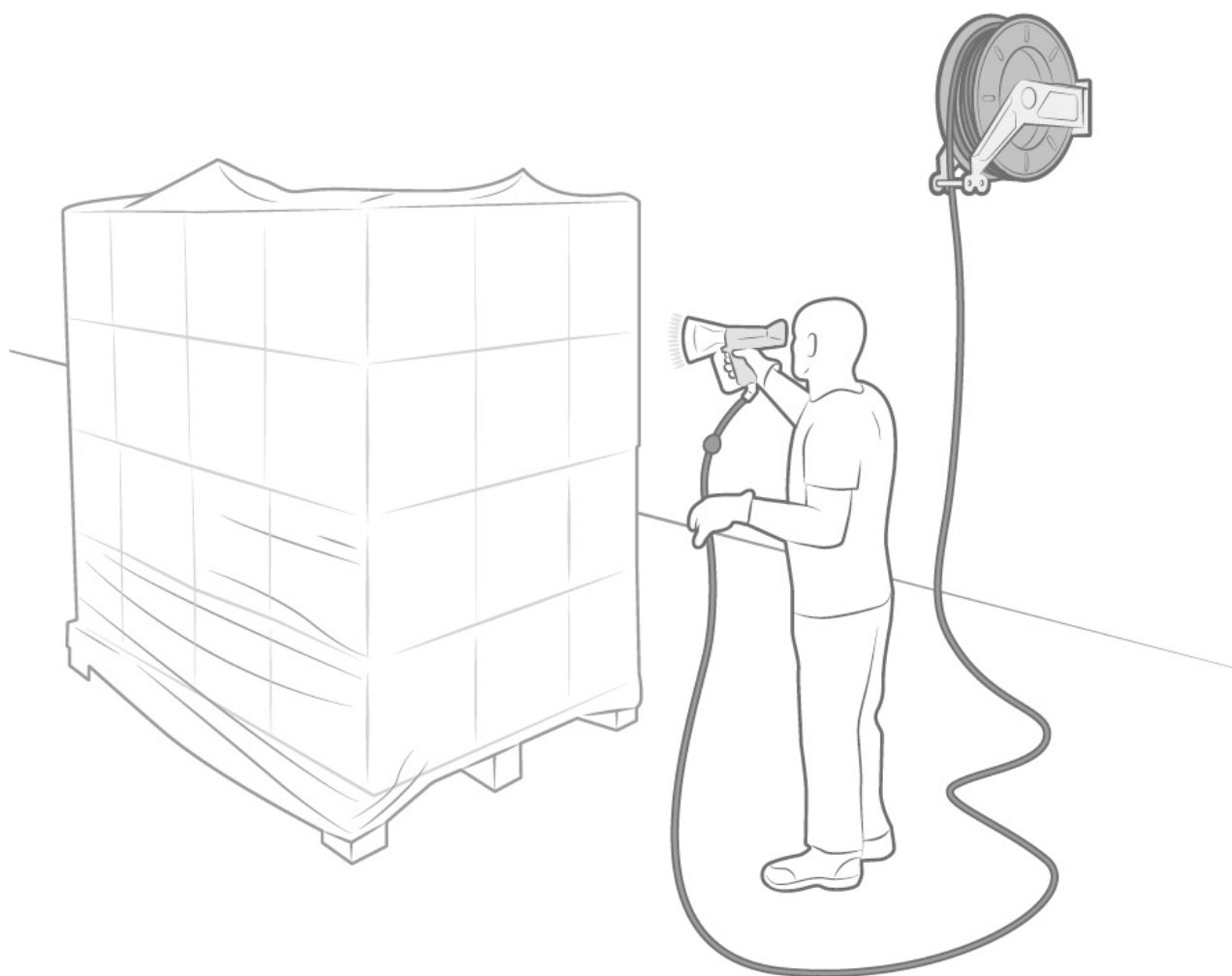
## OPTIONAL



### Before putting into operation:

- Check that the operating pressure is less than 4 bar.
- Check the presence and operation of the pressure regulator to avoid accidental hose bursts.
- Make sure that the operators are trained to use the reel.

Your hose reel is equipped with a 15 meter hose that complies with the DIN EN 16436-2 standard allowing the use of propane, butane and natural gas. It is equipped with 3/8 G fittings for connection to our range of equipment. Finally, a 4 meter long hose equipped with 3/8 G fittings will allow you to connect to your installation (gas bottle or network).



# OPERATION

## OPERATION OF THE RATCHET

Unwind the hose, the pawl passes over a toothed sector, generating a characteristic noise. The stop pawl operates on an area corresponding to 1/3 of a turn of the drum.

In this position, the hose can be released, the pawl is engaged.

To disengage it, pull the hose until it is completely rewound. Never let go of the hose outside the toothed area. It is important to always hold the hose when rewinding to avoid possible injury or damage to the connected device or surrounding objects.

Turn off the power supply at the end of the service and when the reel is not used for more than 30 minutes. The reel cannot be used in potentially explosive atmospheres (ATEX).

## MAINTENANCE

**IMPORTANT:** Any maintenance operation shall be carried out by a suitably trained staff, following carefully the information given in this manual. Ensure that there is no tension in the spring before starting any operations inside the hose reel.

Before starting any operation in the reel:

1/ turn off the supply of gas.

2/ take out the hose stop and release slowly the hose so that the spring is fully unloaded.

3/ Replace the flexible hose as soon as it shows any sign of wear and tear or of deterioration due to the different conditions of the labour environment.

4/ Check periodically the correct operation of the hose reel and the absence of any gas losses from the couplers and the swivel joints. Replace the seal inside the revolving joint in case of losses due to wear and tear.

5/ Any replacement of hose reel parts has to be done using original spare parts. We advise you to contact the manufacturer for any possible anomaly and before replacing any part. After every maintenance operation, put again the eventual supports.

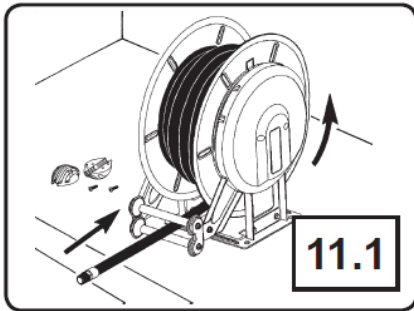
**ATTENTION :** Risk of explosion! Do not lubricate the swivel joints and the seals for Gas with oil and grease. Use lubricant (BAM) approved only.

**During maintenance operations, never put your hands in the drum when the spring is loaded.**

## REPLACEMENT OF THE HOSE

The hose must always be replaced with an original hose ordered from an authorized distributor.

To change the hose, please follow the steps below:



11.1) Remove the hose rubber stopper and release the hose slowly until the spring is completely unloaded.

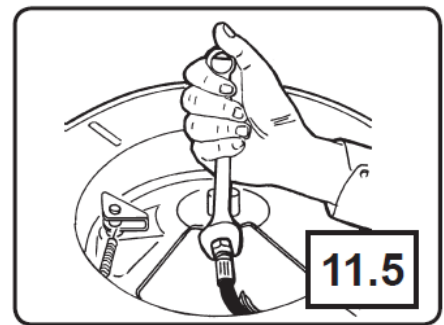
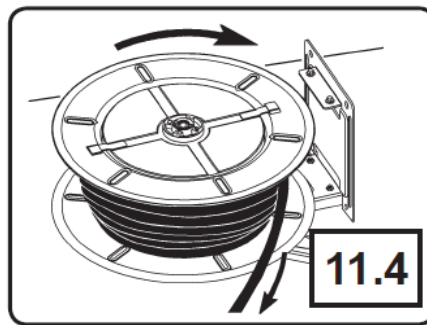
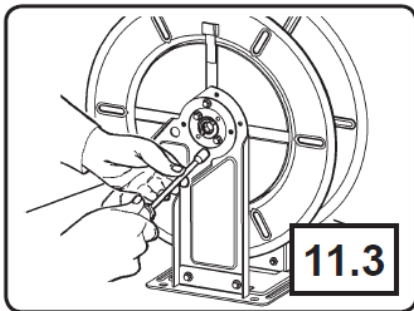
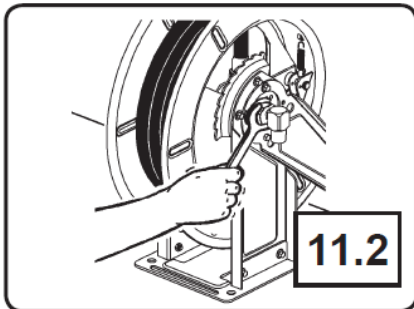
11.2) Loosen the swivel joint.

11.3) Loosen the screws of the spring linkage shaft.

11.4) Disassemble the opening on the spring side and unwind completely the hose from the drum.

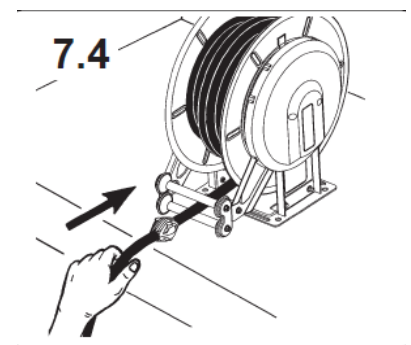
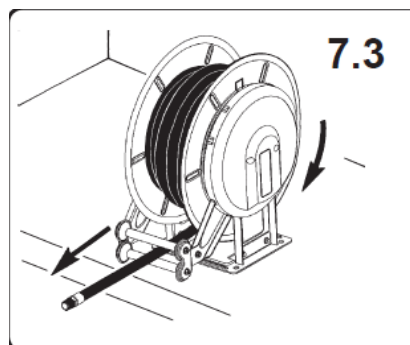
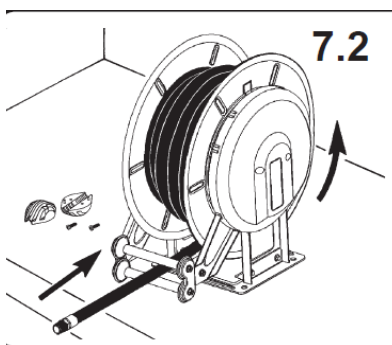
11.5) Take out the drum, unscrew the internal fitting with the suitable wrench and mount the new hose.

11.6) Assemble again the hose reel, by following the above steps in reverse order. If that is the case, grease the supports and the ratchet hook.



11.7) Go on as indicated at point 7.2 by rotate manually the drum in order to rewind completely the hose. 7.3) Hold the hose-end and rotate the drum 9 turns in the opposite direction to pre-load the spring. Insert again the hose-end between the guide rollers. 7.4) Put the hose rubber stopper at the desired length.

Unwind the hose and rewind it completely, to check if the hose reel works properly.



## REPLACEMENT OF THE SPRING

The spring which allows to rewind the hose is placed inside a proper housing centre which is joint to the drum.

**WARNING!** The disassembly of the spring is only permitted to the staff authorized and suitably trained by the manufacturer. Handle with the greatest care the spring.

12.1) Make sure that the rewinding system is totally unloaded and that the drum is free (see point 11.1)

12.2) Loosen the swivel joint.

12.3) Loosen the two screws of the spring linkage shaft by a 10 mm wrench (see point 11.3).

12.4) 12.4) Disassemble the opening on the spring side by a 10 mm wrench and take out the drum.

12.5) Take out the shaft from the spring housing.

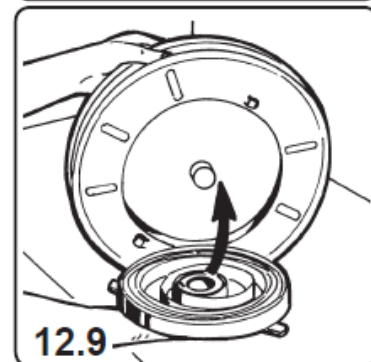
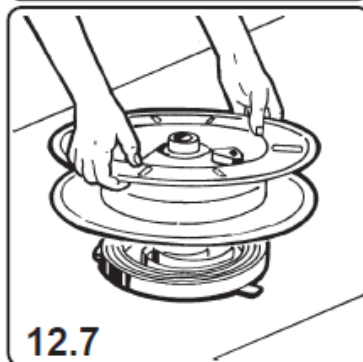
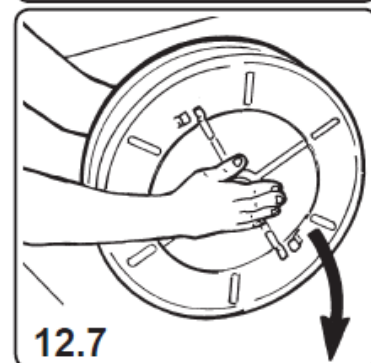
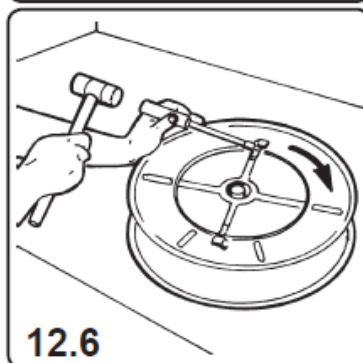
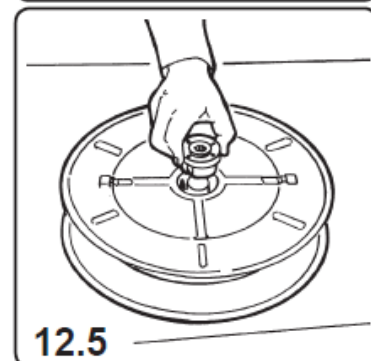
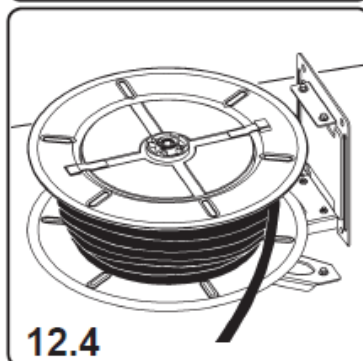
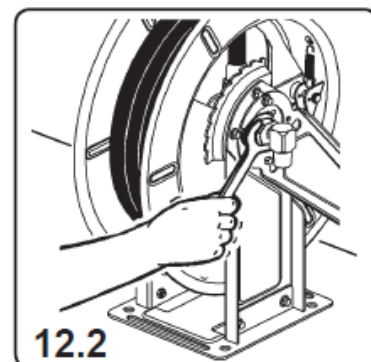
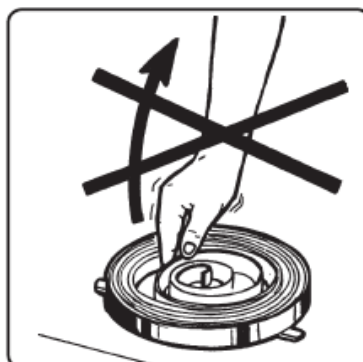
12.6) Lift the tangs on the drum by a screwdriver and rotate the spring housing centre in order to release it from the drum.

12.7) Turn upside down the drum and take out the spring housing centre paying the greatest care so that the spring does not go out of it.

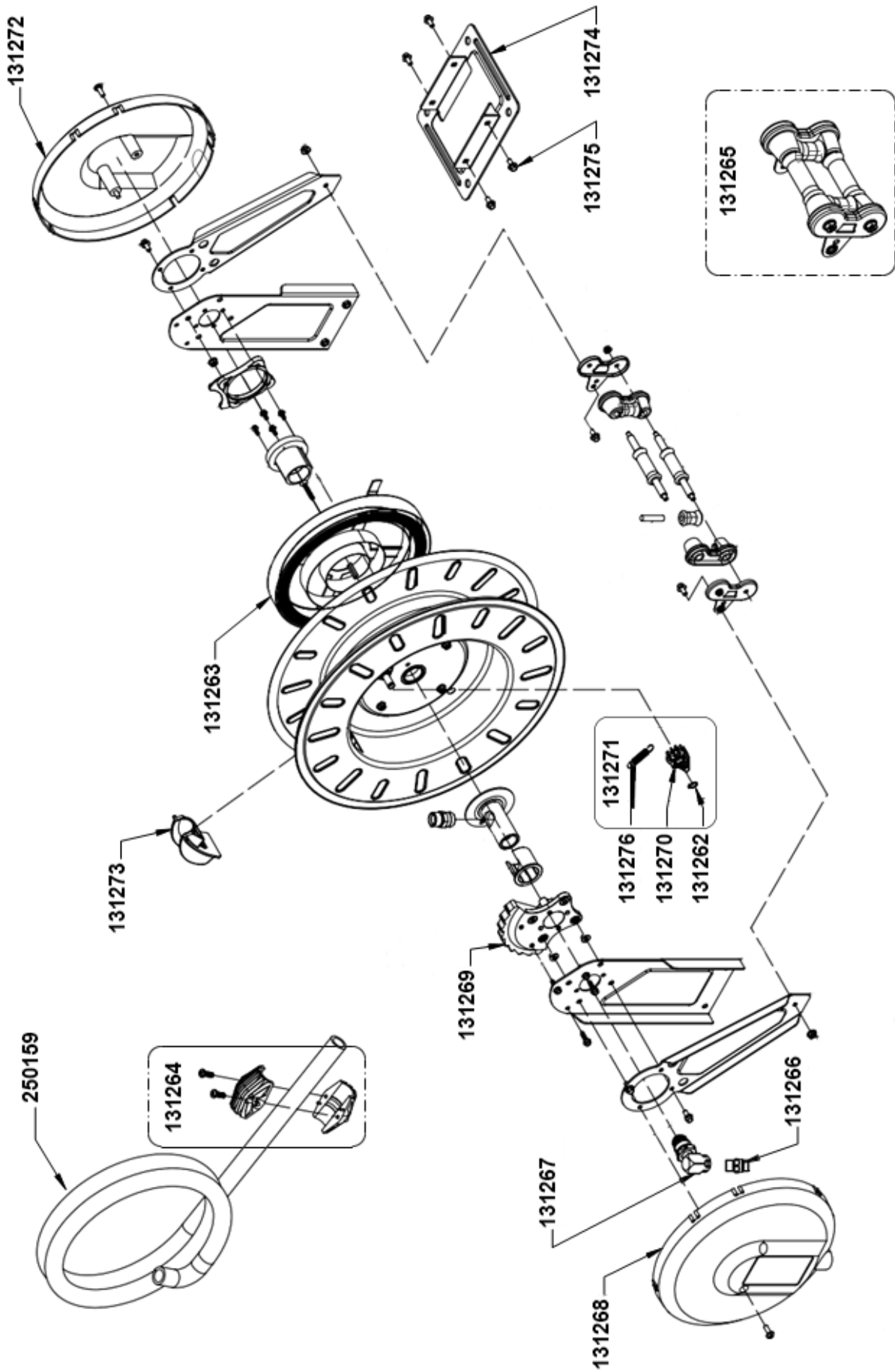
12.8) Insert and hook the shaft into the new spring housing centre. Lubricate the spring and the shaft.

12.9) Put the drum straight and place the new spring housing centre with the utmost care. Block the tangs.

12.10) Assemble all the parts and go on as indicated at point 7.2 of the chapter «Mounting of the hose»



# EXPLODED VIEW AND REPLACEMENT PARTS





<b>ARTICLE CODE</b>	<b>DESCRIPTION</b>
131262	Seeger D.10
131263	Spring 25m 18 bar
131264	Hose stopper D.14 (5/16")
131265	4 rollers support
131266	Double screw left 3/8" G
131267	Swivel joint
131268	Cover swivel side
131269	Ratchet plate wheel D.32
131270	Ratchet hook
131271	Ratchet hook kit
131272	Cover spring side
131273	Hose guide curve D.<20
131274	Plate mod. V
131275	Screw TE M 6x12
131276	Spring for hook
250099	Rubber Hose, 15 m with connections 3/8L (int Ø 6)

# GARANTIE

Your HOSE WINDER has been manufactured with the greatest care using quality materials. Numerous tests and inspections were carried out during production.

Every component meets the requirements of strict specifications in order to guarantee performance and adaptability.

For all maintenance work and spare parts, your RIPACK dealer ensures the supply of spare parts in accordance with the RIPACK requirements, guarantee of quality and of safety.

## **RIPACK WARRANTY:**

WARRANTY OF OPERATION for one year under the following conditions :

- that the appliance has been used in compliance with the user's guide;
- that the appliance has not been disassembled except for the procedures described in the user's guide;
- that the appliance is physically intact (for example: flanges, arm and support, etc...).

This warranty does not apply to the following replacement parts:

- Hose,
- Ratchet,
- Pawl spring

Replacement parts must be original RIPACK spare parts. The manufacturer shall not be held responsible and shall not be liable for any claims in the event that the aforementioned warnings and instructions are not respected.

The company SEFMAT shall not be held responsible for accidents involving persons or goods which arise from the incorrect use of the appliance or from using it for an application which is not specifically mentioned in the user's guide. All disputes shall be governed by the courts of Bordeaux - France. No other place of jurisdiction shall be accepted.

The use and the resale of the HOSE WINDER imply the acceptance of the aforementioned terms and conditions.

IN THE EVENT OF A WARRANTY CLAIM, PLEASE ATTACH A COPY OF YOUR SUPPLIER'S INVOICE.



**DÉCLARATION DE CONFORMITÉ CE  
EC- DECLARATION OF CONFORMITY  
CE - KONFORMITÄTSERKLÄRUNG**

Le fabricant soussigné :  
The manufacturer undersigned :  
Der unterzeichnete Hersteller:

SEFMAT S.A.S, 7 RUE DE BETNOMS, 33185 LE HAILLAN, FRANCE

Déclare que l'équipement de travail neuf désigné ci-après :  
Hereby declares that the equipment described hereafter:  
Erklärt hiermit, dass das hier unten angegebene neue Gerät:

**ENROULEUR TUYAU GAZ 334081 TYPE 3  
HOSE REEL 334081 TYPE 3  
GASSCHLAUCHTROMMEL 334081 Typ 3**

est conforme aux dispositions réglementaires définies par l'annexe I de la directive européenne EN 89/392 modifiée par l'EN 91/364 et à la norme européenne EN 746-2.  
Is in conformity to the prescriptions of appendix I of the European directive EN 89/392 modified by EN 91/364 and to the European norm EN 746-2.

in Konformität mit den EG-Richtlinien ist die in Anhang I der Europäischen Richtlinie EN 89/392 festgelegt und geändert durch EN 91/364 und die europäische Norm EN 746-2.

Fait au Haillan, le 6 juin 2019  
Le Haillan, June 6th, 2019  
Le Haillan, 6. Juni 2019

**François Clément**  
Responsable ligne produits  
Engineering manager  
Produktlinien Manager