



minipack®
THE ORIGINAL PIONEER

REPLAY 55 EVO

TROLLEY MANUAL HEAT-SHRINK - SEALING BAR 540X390 MM



DESCRIPTION

The **REPLAY evo** range offers more basic products, yet with the same high quality. Equipped with new cutting-edge and exclusive systems, it is the most competitive offer of the new **minipack®-torre** chamber machines.

REPLAY 55 evo combines significant technological content with a basic and compact shape in order

minipack®-torre S.p.A.

Sede legale - Via Provinciale, 54 - 24044 DALMINE (BG) Italy

P.IVA - C.F.: 01633550163 - Capitale sociale 619.200,00 i.v. - Reg. Imprese di Bergamo 01633550163 - REA n. 224151

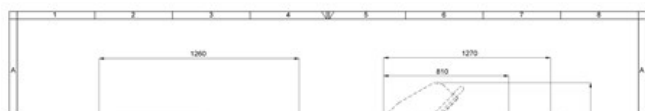
to aim at substance without losing sight of excellence, a characteristic common to all machines made by **minipack®-torre**.

TECHNICAL FEATURES

Electrical power supply	200V 1Ph 230v 1Ph
Maximum power installed	3.35 kW (200V) 3.45 kW (230V)
Maximum current	14,5 A (200V) 15 A (230V)
Hourly output	0-300
Available dimensions of the sealing bars	540x390 mm
MAX product size	500x380x200 mm
Maximum reel dimensions (Ø x length)	Ø250x600 mm
Work Surface Height	925 mm
Machine dimensions (open hood)	1260x810x1310 mm
Machine dimensions (closed hood)	1260x810x1165 mm
Weight (Net/Gross)	105/126 kg

minipack®-torre shall not be held liable for typos or printing errors in this catalogue. It also reserves the right to make changes to the specified features without prior notice. All trademarks are property of their respective owners and are hereby acknowledged.

TECHNICAL DRAWING



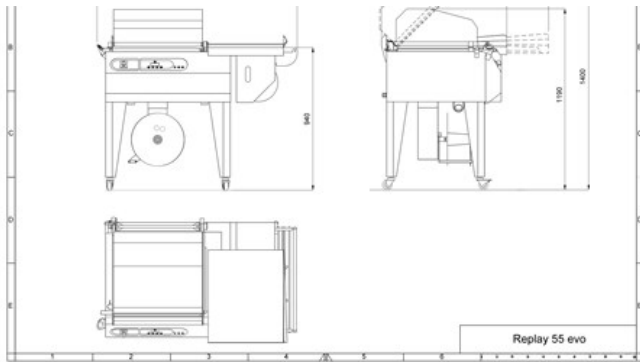
minipack®-torre S.p.A.

Sede legale - Via Provinciale, 54 - 24044 DALMINE (BG) Italy

P.IVA - C.F.: 01633550163 - Capitale sociale 619.200,00 i.v. - Reg. Imprese di Bergamo 01633550163 - REA n. 224151



minipack®
THE ORIGINAL PIONEER



TECHNICAL SOLUTIONS

- **High-performance steel resistors:** shrinking time cut by 50% and heating time cut by 60%
- **Soft Shrink fan speed adjustment:** perfect heat-shrinking also on very light or flexible products. Sealed areas do not open. Extremely quiet. Exclusive patent
- **Comfort Zone Fan Stop:** the fan stop is a "green" solution that allows to save 20% more energy and provides greater operator comfort during packaging, since the fan stops when the chamber opens
- **New latest-generation board:** quality components. 4-digit display.

minipack®-torre S.p.A.

Sede legale - Via Provinciale, 54 - 24044 DALMINE (BG) Italy

P.IVA - C.F.: 01633550163 - Capitale sociale 619.200,00 i.v. - Reg. Imprese di Bergamo 01633550163 - REA n. 224151