



minipack®
THE ORIGINAL PIONEER

FM76A EVO-A

AUTOMATIC HEAT SHRINK MACHINE - SEALING BAR 540X390 MM - DEDICATED ELECTRONIC CARD - DOUBLE DISPLAY



DESCRIPTION

The historic FM76A is renewed by combining reliability and ease of use. With a dedicated electronic interface card and an electro-mechanical panel we guarantee reliability, safety, speed and availability of spare parts.

minipack®-torre S.p.A.

Sede legale - Via Provinciale, 54 - 24044 DALMINE (BG) Italy

P.IVA - C.F.: 01633550163 - Capitale sociale 619.200,00 i.v. - Reg. Imprese di Bergamo 01633550163 - REA n. 224151



minipack[®]
THE ORIGINAL PIONEER

TECHNICAL FEATURES

Electrical power supply	200V 50/60Hz 3Ph 208V 60Hz 3Ph 230V 50/60Hz 3Ph 400V 50/60Hz 3Ph 230V 50/60Hz 1Ph
Maximum power installed	4,0 kW (200V) 4,6 kW (208V) 4,1 kW (230/400V 50Hz) 4,4 kW (230/400V 60Hz) 3,4 kW (230V 1Ph)
Maximum current	18 A (200V) 19,5 A (208V) 15 A (230V) 10,5 A (400V 50Hz) 11 A (400V 60Hz) 15 A (230 1Ph)
Hourly production	0-700
Useful dimensions of sealing bars	540x390 mm
Maximum reel dimensions (Ø x length)	Ø250x600 mm
Maximum product dimensions	500x380x200 mm (15kg max)
Work surface height	925 mm
Machine dimensions (open hood)	1930x810x1310 mm
Machine dimensions (closed hood)	1930x810x1165 mm
Machine weight (net / gross)	174/198 kg
Machine color	RAL2004 peeled
Packaging flat color	RAL7016 peeled

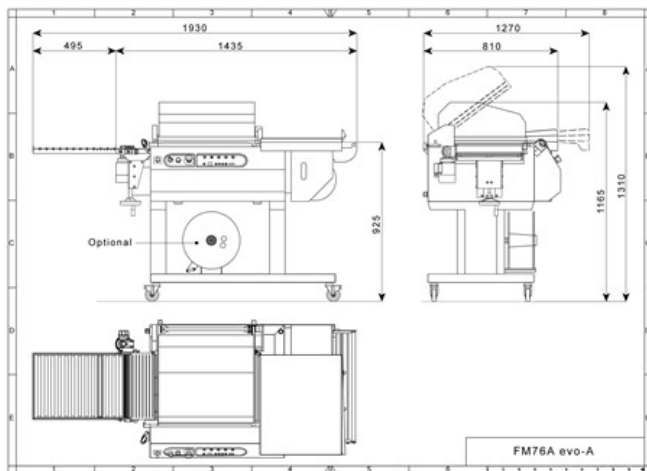
minipack®-torre S.p.A.

Sede legale - Via Provinciale, 54 - 24044 DALMINE (BG) Italy

P.IVA - C.F.: 01633550163 - Capitale sociale 619.200,00 i.v. - Reg. Imprese di Bergamo 01633550163 - REA n. 224151

minipack®-torre shall not be held liable for typos or printing errors in this catalogue. It also reserves the right to make changes to the specified features without prior notice. All trademarks are property of their respective owners and are hereby acknowledged.

TECHNICAL DRAWING



TECHNICAL FEATURES:

- Option of having an 'Automatic' work cycle (press the start button cycles performed in sequence, interrupted by the programmed pause interval) and a 'Manual' work cycle (press the start button to perform one packaging cycle)
- Automatic lid opening, product ejection
- Frontal control interface: intuitive programming
- Standard sealing bars liquid cooling system: increased productivity and improved sealing
- Innovative upper hood fixing, easier maintenance
- Safety control on sealing blades: safer machine
- Roll support with bigger diameter (250 mm)
- Packaging plate independent from roll support: suitable for the packaging of small products with the same film roll
- Innovative micropuncher: continuous and accurate perforation
- Double display: 2-digit for programs and settings and 4-digit as piece counter
- 6 programs digital control panel easy to be used
- Counterpieces included: more complete equipment
- Power board access with frontal door
- Higher screened plate: more protection of the heating elements
- More powerful fan motor: superior shrinking performance
- Extra safety thermostat on the heating elements: safer machine



minipack®
THE ORIGINAL PIONEER

- New rubber support without glue
- Greater safety for the operator

minipack®-torre S.p.A.

Sede legale - Via Provinciale, 54 - 24044 DALMINE (BG) Italy

P.IVA - C.F.: 01633550163 - Capitale sociale 619.200,00 i.v. - Reg. Imprese di Bergamo 01633550163 - REA n. 224151